

CHESNEYS

WOOD BURNING & MULTI FUEL STOVES

INSTALLATION & USER MANUAL

IMPORTANT:

PLEASE ENSURE YOU REGISTER YOUR APPLIANCE FOR ITS
EXTENDED WARRANTY, PLEASE SEE PAGE 55 FOR DETAILS

www.chesneys.co.uk

Congratulations on your purchase of a Chesneys stove.

Please note that it is a legal requirement under England and Wales Building Regulations that the installation of the stove is either carried out under Local Authority Building Control approval or is installed by a Competent Person registered with a Government Approved Competent Persons Scheme.

This appliance will become hot whilst in operation. It is recommended that a suitable guard be used for the protection of young children, the elderly or infirm.

The Chesneys range of stoves are all CE approved.

This stove must not be adapted or modified in any way.

Our 4kW Eco 2022 Series, 5WS, 5WS MK2, 8WS (6kW and 8kW), 8WS (6kW and 8kW) MK2, Double Sided 8 Series, 12, 12WS and 12WS MK2 stoves all exceed Ecodesign 2022 emission requirements.

Chesneys DEFRA exempt appliance are listed on page 21. These stoves can be used in Smoke Control Zones only when the stove is put into smoke control mode and installed in accordance with the current Building Regulations.

The complete list is available at: <http://smokecontrol.defra.gov.uk/>

Please ensure you register your appliance for its extended warranty by using the form on page 55 or visiting our website at <https://chesneys.co.uk/warranty-registration>

Please ensure you familiarise yourself with the maintenance requirements on page 40, these steps should be performed as part of an annual service by a qualified person. An annual service is a requirement of our extended warranty

Chesneys pursues a policy of continuing improvement in design and performance of its products. The right is therefore reserved to vary specifications without notice.

Contents

| | |
|---|----|
| Wood Burning 4kW Eco 2022 Stoves | 4 |
| Wood Burning 5WS Series Stoves | 5 |
| Multi Fuel 6 Series Stoves | 6 |
| Multi Fuel 8 Series Stoves | 7 |
| Wood Burning 8WS 6kW Series Stoves | 8 |
| Wood Burning 8WS 8kW Series Stoves | 9 |
| Wood Burning Double Sided 8 Series | 10 |
| Wood Burning 12 Series Stoves | 11 |
| Pre-Installation | 12 |
| Installation | 14 |
| Converting Top to Rear Exit | 16 |
| Smoke Control | 20 |
| Commissioning | 25 |
| The Curing Process | 26 |
| Stove Paint Application Instructions | 27 |
| First Lighting & Operation | 28 |
| Essential Annual Maintenance | 40 |
| Useful Information | 44 |
| Guarantee | 45 |
| Dealer & Installer Details | 46 |
| Commissioning Testing | 48 |
| On Site Verification of HETAS Spillage Test Procedure | 51 |
| Annual Service Record | 53 |
| Notes | 54 |
| Warranty Registration | 55 |

Wood Burning 4kW Eco 2022 Stoves

| PARAMETER - WOOD | ALPINE BEAUMONT MILAN SALISBURY SHOREDITCH |
|---|--|
| Nominal heat output | 4.0 kW - 13648.57 BTU/hr |
| Mean CO emission (at 13% O ₂) | 0.10 |
| Mean flue gas temperature | 247 °C |
| Flue gas mass flow | 4.2 g/s |
| Total efficiency Net Gross | 77.3 % 70.3 % |
| Refuelling | 45min |
| Test fuel wood | 0.8 kg |
| Fuel size: 1x log at < 15% moisture | 250mm x 70mm dia |
| Maximum hearth temperature | Below 100 °C |

| DIMENSIONS & WEIGHTS | | | | | | |
|----------------------|-------|-------|-------|-------|-------|--------|
| | A | B | C | D | E | WEIGHT |
| ALPINE | 586mm | 410mm | 110mm | 442mm | 309mm | 74kg |
| BEAUMONT | 552mm | 456mm | 108mm | 408mm | 307mm | 73kg |
| MILAN | 752mm | 447mm | 155mm | 586mm | 370mm | 78kg |
| SALISBURY | 534mm | 402mm | 108mm | 408mm | 335mm | 72kg |
| SHOREDITCH | 543mm | 398mm | 108mm | 408mm | 294mm | 78kg |
| SHOREDITCH LS | 687mm | 398mm | 108mm | 552mm | 294mm | 88kg |
| SHOREDITCH XLS | 787mm | 398mm | 108mm | 652mm | 294mm | 104kg |

The chimney and connecting flue pipe must have a minimum diameter of 130mm and its dimension should not narrow to less than the size of the flue outlet of the stove at any point.

Minimum Flue Draught 12 Pascals.

Soft furnishings should be at least 1000mm from the appliance.

Distances to combustibles:

Salisbury, Beaumont, Shoreditch variants:

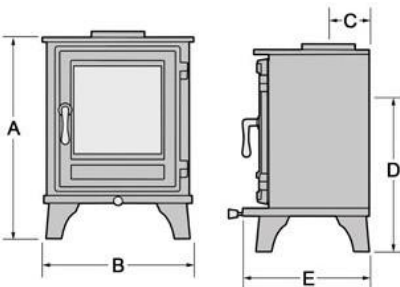
Rear: 400mm, 100mm if using an insulated flue.
Sides: 250mm.

Milan:

Rear: 250mm, 100mm if using insulated flue.
Sides: 250mm, 100mm if using an insulated flue.

Alpine:

Rear: 400mm, 250mm if using an insulated flue.
Sides: 250mm, 150mm if using an insulated flue.



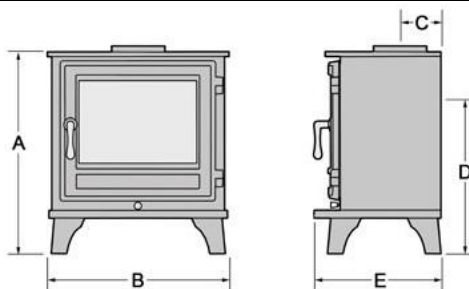
Wood Burning 5WS Series Stoves

The Appliances fulfill the requirements for a room sealed appliance
(in accordance with A.4.11.2.2 EN 16510-1:2018)

| PARAMETER - WOOD | BEAUMONT 5WS SALISBURY 5WS SHOREDITCH 5WS | BEAUMONT 5WS MK2 SALISBURY 5WS MK2 SHOREDITCH 5WS MK2 |
|---|---|---|
| Nominal heat output | 4.8 kW - 16378.28 BTU/hr | 4.8 kW - 16378.28 BTU/hr |
| Mean CO emission at 13% O ₂ | 0.09 vol% | 0.07 vol% |
| Mean NO _x emission at 13% O ₂ | 133 mg/m ³ | 117 mg/m ³ |
| Mean C _x H _y emission at 13% O ₂ | 68 mg/m ³ | 53 mg/m ³ |
| Mean Dust emission at 13% O ₂ | 39 mg/m ³ | 28 mg/m ³ |
| Mean flue gas temperature | 254 °C | 256 °C |
| Flue gas mass flow | 5.5 g/s | 3.8 g/s |
| Energy efficiency | 75.3% | 81.0% |
| Test fuel size | 1.04kg | 0.94kg |
| Fuel: 1x log at < 15% moisture | Approx. 270mm x 80mm dia | Approx. 270mm x 80mm dia |
| DISTANCE TO COMBUSTIBLES | | |
| Rear | 300mm | 300mm |
| Rear if using an insulated flue | 100mm | 150mm |
| Sides | 300mm | 300mm |
| Above (installed as per p.15) | 400mm | 500mm |

PLEASE NOTE: Appliance must be placed on/above a non-combustible floor.
Soft furnishings should be at least 1000mm from the appliance.

| DIMENSIONS & WEIGHTS | | | | | | |
|----------------------|-------|--|-------|-------|-------|--------|
| | A | B | C | D | E | WEIGHT |
| BEAUMONT | 578mm | 535mm | 130mm | 429mm | 329mm | 88kg |
| SHOREDITCH | 566mm | 478mm | 130mm | 429mm | 317mm | 92kg |
| SHOREDITCH LS | 710mm | 478mm | 130mm | 573mm | 317mm | 102kg |
| SALISBURY | 560mm | 482mm | 130mm | 429mm | 356mm | 87kg |
| SALISBURY LS | 720mm | 482mm </td <td>130mm</td> <td>589mm</td> <td>356mm</td> <td>102kg</td> | 130mm | 589mm | 356mm | 102kg |



The chimney and connecting flue pipe must have a minimum diameter of 130mm and its dimension should not narrow to less than the size of the flue outlet of the stove at any point.

Minimum Flue Draught 12 Pascals.

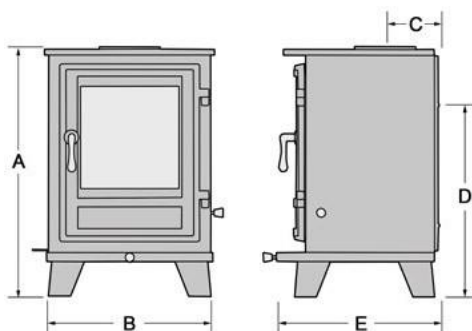
Multi Fuel 6 Series Stoves

| PARAMETER WOOD / ANCIT | BEAUMONT BELGRAVIA SALISBURY SHIPTON SHOREDITCH | ALPINE | MILAN |
|---|---|---|---|
| Nominal heat output | 7.0 kW - 23884.99 BTU/hr / 6.0 kW - 20472.85 BTU/hr | 6.2 kW - 21155.28 BTU/hr / 6.0 kW - 20472.85 BTU/hr | 6.2 kW - 21155.28 BTU/hr / 6.7 kW - 22861.35 BTU/hr |
| Mean CO emission (at 13% O ₂) | 0.34 / 0.37 | 0.34 / 0.37 | 0.3 / 0.23 |
| Mean flue gas temperature | 265 °C / 199 °C | 324 °C / 294 °C | 324 °C / 294 °C |
| Flue gas mass flow | 3.7 g/s / 4.1 g/s | 5.4 g/s / 4.1 g/s | 5.4 g/s / 3.7 g/s |
| Total efficiency | Net Gross | 85.1% / 80.4% 77.4% / 78.8% | 85.1% / 80.4% 77.4% / 78.8% |
| Refuelling | 45 min / 150 min | 45 min / 150 min | 60 min / 60 min |
| Test fuel wood | 1.5kg / 2.1kg | 1.5kg / 2.1kg | 2.09kg / 2.1kg |
| Fuel: 2 logs at 13-14% moisture Ancit per 2.5kg 2.3% moisture | 300mm x 150mm dia | 300mm x 150mm dia | 300mm x 150mm dia |
| Maximum hearth temperature | 56.1 °C | 56 °C | 55 °C <i>to log store</i> |

DIMENSIONS & WEIGHTS

| | A | B | C | D | E | WEIGHT |
|-----------------------|-------|-------|-------|-------|-------|--------|
| BEAUMONT | 704mm | 522mm | 140mm | 541mm | 395mm | 128kg |
| BELGRAVIA | 704mm | 522mm | 140mm | 541mm | 395mm | 120kg |
| SALISBURY | 653mm | 450mm | 140mm | 505mm | 440mm | 123kg |
| SHOREDITCH | 685mm | 448mm | 140mm | 531mm | 393mm | 120kg |
| SHOREDITCH LS | 803mm | 448mm | 140mm | 648mm | 393mm | 132kg |
| SHOREDITCH XLS | 903mm | 448mm | 140mm | 748mm | 393mm | 139kg |
| SHIPTON | 634mm | 488mm | 140mm | 480mm | 395mm | 131kg |
| ALPINE | 686mm | 460mm | 149mm | 523mm | 386mm | 125kg |
| MILAN | 920mm | 525mm | 196mm | 740mm | 472mm | 127kg |

Milan and Shoreditch LS and XLS can be installed with skirting boards 50mm from rear of the stove to a maximum height of 200mm.



The chimney and connecting flue pipe must have a minimum diameter of 150mm and its dimension should not narrow to less than the size of the flue outlet of the stove at any point.

Minimum Flue Draught 12 Pascals.

Soft furnishings should be at least 1000mm from the appliance.

Distances to combustibles:

Rear: 500mm, Sides: 650mm

Alpine 6 Series: Rear: 450mm, Sides:

350mm Milan 6 Series: Rear: 45mm, Sides: 200mm

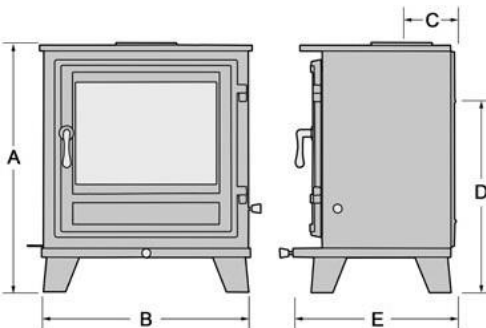
Multi Fuel 8 Series Stoves

| PARAMETER WOOD / ANCIT | BEAUMONT BELGRAVIA SALISBURY SHIPTON SHOREDITCH |
|--|---|
| Nominal heat output | 8.3 kW - 28320.78 BTU/hr / 8.5 kW - 29003.21 BTU/hr |
| Mean CO emission (at 13% O ²) | 0.23 / 0.19 |
| Mean flue gas temperature | 360 °C / 331 °C |
| Flue gas mass flow | 6.0 g/s / 6.0 g/s |
| Total efficiency Net Gross | 76.7% / 75.1% 69.8% / 73.6% |
| Refuelling | 60 min / 120 min |
| Test fuel wood | 2.5kg / 2.5kg |
| Fuel: 3 logs at 13-14% moisture Ancit per 2.5kg 2.3% moisture | 300mm x 150mm dia |
| Maximum hearth temperature | 70.3 °C |

| DIMENSIONS & WEIGHTS | | | | | | |
|-----------------------|-------|-------|-------|-------|-------|--------|
| | A | B | C | D | E | WEIGHT |
| BEAUMONT | 704mm | 642mm | 155mm | 538mm | 395mm | 148kg |
| BELGRAVIA | 704mm | 626mm | 155mm | 538mm | 389mm | 148kg |
| SALISBURY | 653mm | 570mm | 155mm | 505mm | 428mm | 143kg |
| SHIPTON | 634mm | 608mm | 155mm | 480mm | 379mm | 151kg |
| SHOREDITCH | 685mm | 568mm | 155mm | 531mm | 378mm | 155kg |
| SHOREDITCH LS | 803mm | 568mm | 155mm | 650mm | 378mm | 172kg |
| SHOREDITCH XLS | 903mm | 568mm | 155mm | 750mm | 378mm | 180kg |

The chimney and connecting flue pipe must have a minimum diameter of 150mm and its dimension should not narrow to less than the size of the flue outlet of the stove at any point.

Minimum Flue Draught 12 Pascals.



Soft furnishings should be at least 1000mm from the appliance.

Distances to combustibles:
Rear: 650mm, Sides: 600mm

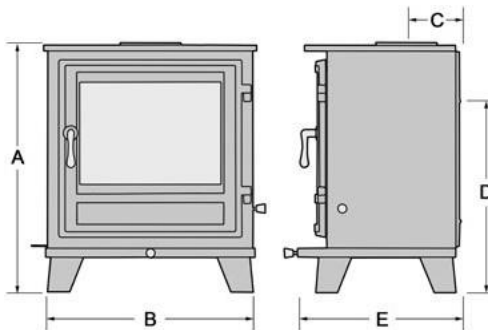
Wood Burning 8WS 6kW Series Stoves

The Appliances fulfill the requirements for a room sealed appliance
(in accordance with A.4.11.2.2 EN 16510-1:2018)

| PARAMETER - WOOD | BEAUMONT 8WS 6kW SALISBURY 8WS 6kW SHOREDITCH 8WS 6kW | BEAUMONT 8WS 6kW MK2 SALISBURY 8WS 6kW MK2 SHOREDITCH 8WS 6kW MK2 |
|---|---|---|
| Nominal heat output | 5.9 kW - 20131.64 BTU/hr | 5.9 kW - 20131.64 BTU/hr |
| Mean CO emission at 13% O ₂ | 0.09 vol% | 0.09 vol% |
| Mean NO _x emission at 13% O ₂ | 119 mg/m ⁰ ³ | 119 mg/m ⁰ ³ |
| Mean C _x H _y emission at 13% O ₂ | 63 mg/m ⁰ ³ | 63 mg/m ⁰ ³ |
| Mean Dust emission at 13% O ₂ | 39 mg/m ⁰ ³ | 39 mg/m ⁰ ³ |
| Mean flue gas temperature | 223 °C | 223 °C |
| Flue gas mass flow | 5.9 g/s | 5.9 g/s |
| Energy efficiency | 79.6% | 79.6% |
| Test fuel size | 1.28kg | 1.28kg |
| Fuel: 1x log at < 15% moisture | Approx. 300mm x 70mm dia | Approx. 300mm x 70mm dia |
| DISTANCE TO COMBUSTIBLES | | |
| Rear | 150mm | 250mm |
| Rear if using an insulated flue | - | 250mm |
| Sides | 250mm | 450mm |
| Above (installed as per p.15) | 300mm | 400mm |

PLEASE NOTE: Appliance must be placed on/above a non-combustible floor.
Soft furnishings should be at least 1000mm from the appliance.

| DIMENSIONS & WEIGHT | | | | | | |
|---------------------|-------|-------|-----------------|-------|-------|--------|
| | A | B | C | D | E | WEIGHT |
| BEAUMONT | 710mm | 642mm | 155mm | 538mm | 395mm | 150kg |
| SALISBURY | 659mm | 570mm | 155mm | 505mm | 428mm | 145kg |
| SHOREDITCH | 691mm | 568mm | 155mm <td 531mm | 378mm | 157kg | |



The chimney and connecting flue pipe must have a minimum diameter of 150mm and its dimension should not narrow to less than the size of the flue outlet of the stove at any point.

Minimum Flue Draught 12 Pascals.

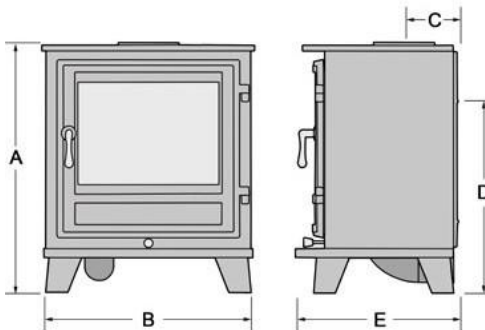
Wood Burning 8WS 8kW Series Stoves

The Appliances fulfill the requirements for a room sealed appliance
(in accordance with A.4.11.2.2 EN 16510-1:2016)

| PARAMETER - WOOD | BEAUMONT 8WS 8kW SALISBURY 8WS 8kW SHOREDITCH 8WS 8kW | BEAUMONT 8WS 8kW MK2 SALISBURY 8WS 8kW MK2 SHOREDITCH 8WS 8kW MK2 |
|---|---|---|
| Nominal heat output | 8.3 kW - 28320.78 BTU/hr | 8.3 kW - 20131.64 BTU/hr |
| Mean CO emission at 13% O ₂ | 0.08 vol% | 0.08 vol% |
| Mean NO _x emission at 13% O ₂ | 101 mg/m ³ | 101 mg/m ³ |
| Mean C _x H _y emission at 13% O ₂ | 102 mg/m ³ | 102 mg/m ³ |
| Mean Dust emission at 13% O ₂ | 35 mg/m ³ | 35 mg/m ³ |
| Mean flue gas temperature | 273 °C | 273 °C |
| Flue gas mass flow | 7.4 g/s | 7.4 g/s |
| Energy efficiency | 78.2% | 78.2% |
| Test fuel size | 1.81kg | 1.81kg |
| Fuel: 2x logs at < 15% moisture | Approx. 300mm x 70mm dia | Approx. 300mm x 70mm dia |
| DISTANCE TO COMBUSTIBLES | | |
| Rear | 300mm | 250mm |
| Rear if using an insulated flue | 200mm | 250mm |
| Sides | 350mm | 450mm |
| Above (installed as per p.15) | 300mm | 400mm |

PLEASE NOTE: Appliance must be placed on/above a non-combustible floor.
Soft furnishings should be at least 1000mm from the appliance.

| DIMENSIONS & WEIGHT | | | | | | |
|---------------------|-------|-------|-------|-------|-------|--------|
| | A | B | C | D | E | WEIGHT |
| BEAUMONT | 710mm | 642mm | 155mm | 538mm | 395mm | 150kg |
| SALISBURY | 659mm | 570mm | 155mm | 505mm | 428mm | 145kg |
| SHOREDITCH | 691mm | 568mm | 155mm | 531mm | 378mm | 157kg |



The chimney and connecting flue pipe must have a minimum diameter of 150mm and its dimension should not narrow to less than the size of the flue outlet of the stove at any point.

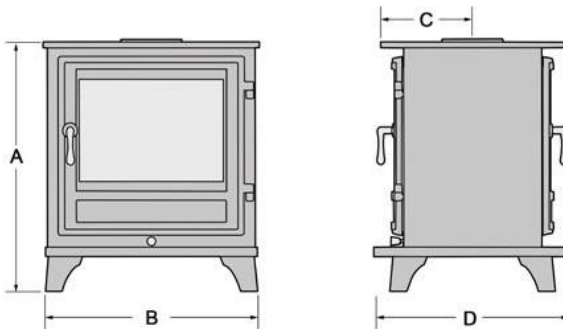
Minimum Flue Draught: 12 Pascals

Wood Burning Double Sided 8 Series Stove

| PARAMETER - WOOD | SALISBURY 8 |
|---|-------------------|
| Nominal heat output | 8.1kW |
| Mean CO emission (at 13% O ₂) | 0.10 |
| Mean flue gas temperature | 307 °C |
| Flue gas mass flow | 6.8 g/s |
| Total efficiency Net Gross | 77.6% 70.8% |
| Refuelling | 45 min |
| Test fuel wood | N/A |
| Fuel: 3 logs at <15.1% moisture | 250mm x 150mm dia |
| Maximum hearth temperature | Below 100 °C |
| DISTANCE TO COMBUSTIBLES | |
| Sides | 350mm |

PLEASE NOTE: Appliance must be placed on/above a non-combustible floor.
Soft furnishings should be at least 1000mm from the appliance

| DIMENSIONS & WEIGHT | | | | | |
|---------------------|-------|-------|---------|-------|--------|
| | A | B | C | D | WEIGHT |
| SALISBURY | 657mm | 570mm | 260.5mm | 521mm | 150kg |



The chimney and connecting flue pipe must have a minimum diameter of 150mm and its dimension should not narrow to less than the size of the flue outlet of the stove at any point.

Minimum Flue Draught: 12 Pascals

Wood Burning 12 Series Stoves

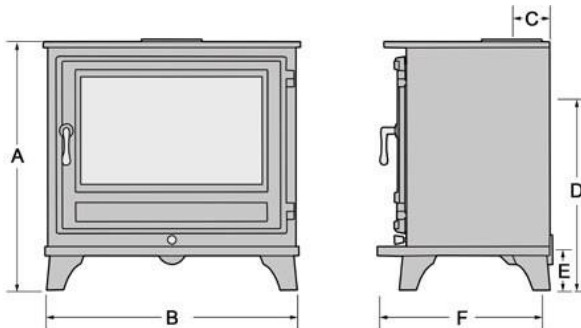
The Appliances fulfill the requirements for a room sealed appliance (in accordance with A.4.11.2.2 EN 16510-1:2016)

| PARAMETER - WOOD | SALISBURY 12 | SALISBURY 12WS | SALISBURY 12WS MK2 |
|---|----------------------------|---------------------------|---------------------------|
| Nominal heat output | 10.8 kW - 36851.134 BTU/hr | 10.6 kW - 36168.70 BTU/hr | 10.6 kW - 36168.70 BTU/hr |
| Mean CO emission at 13% O ₂ | 0.15 vol% | 0.06 vol% | 0.06 vol% |
| Mean NO _x emission at 13% O ₂ | - | 104 mg/m ³ | 104 mg/m ³ |
| Mean C _x H _y emission at 13% O ₂ | - | 50 mg/m ³ | 50 mg/m ³ |
| Mean Dust emission at 13% O ₂ | - | 30 mg/m ³ | 30 mg/m ³ |
| Mean flue gas temperature | 321 °C | 304 °C | 304 °C |
| Flue gas mass flow | 10.0 g/s | 9.8 g/s | 9.8 g/s |
| Energy efficiency | 74.5% | 75.9% | 75.9% |
| Test fuel size | 2.4 kg | 2.59 kg | 2.59kg |
| Fuel: 3x logs at < 15% moisture | Approx. 250mm x 150mm dia | Approx. 300mm x 70mm dia | Approx. 300mm x 70mm dia |
| DISTANCE TO COMBUSTIBLES | | | |
| Rear | 500mm | 400mm | 500mm |
| Sides | 350mm | 350mm | 400mm |

PLEASE NOTE: Appliance must be placed on/above a non-combustible floor.
Soft furnishings should be at least 1000mm from the appliance

| DIMENSIONS & WEIGHT | | | | | | | |
|---------------------|-------|-------|-------|-------|-------|-------|--------|
| | A | B | C | D | E | F | WEIGHT |
| SALISBURY | 660mm | 684mm | 111mm | 527mm | 108mm | 470mm | 171kg |

The stove lid can simply be removed to reduce the weight by 32kg



The chimney and connecting flue pipe must have a minimum diameter of 150mm and its dimension should not narrow to less than the size of the flue outlet of the stove at any point.

Minimum Flue Draught: 12 Pascals

Pre-Installation

This appliance must be fitted in accordance with the current Building Regulations and by competent registered person.

Health and Safety Precautions

Special care must be taken when installing the stove such that the requirements of the Health and Safety at Work Act are met.

Note: This appliance is heavy and must be handled with care.

Adequate facilities must be available for loading, unloading and site handling.

The appliance is supplied fully assembled for a top flue arrangement.

The lid, door and internal parts can all be removed to reduce the stove weight during installation.

The paint is soft and vulnerable to marking; refer to the maintenance section.

Chesneys stoves must be connected to a suitable chimney. Chesneys strongly recommend using a complete and compliant chimney lining system.

Inside the stove you will find an Installation and user manual and a pair of Chesneys Gauntlets. The multi fuel stoves also have an ash pan and tool.

Asbestos

This stove contains no asbestos. If there is a possibility of disturbing any asbestos in the course of installation then please seek specialist guidance and use appropriate protective equipment.

Metal Parts

When installing or servicing this stove care should be taken to avoid the possibility of personal injury.

Ventilation

Please refer to Document J section 2 (table 1). There must be an adequate air supply into the room in which the appliance is installed to allow the appliance to function properly.

The installation of extract ventilation or other appliance that requires air for combustion in the same area are not recommended and will effect this appliance. Refer to page 14 Flue Requirements.

Chesneys recommend an appropriate spillage test be conducted with all appliances post installation.

Air inlet grilles must be so positioned that they are not liable to blockage.

There must be an adequate air supply into the room in which the appliance is installed and make sure apertures provided for this purpose are not restricted and are free from blockage.

Carbon Monoxide

Building Regulations require that whenever a new or replacement fixed solid fuel or wood/biomass appliance is installed in a dwelling a carbon monoxide alarm must be fitted in the same room as the appliance. Further guidance is available in BS EN50292:2002 and from the alarm manufacturer's instructions. Provision of an alarm must not be considered a substitute for either installing the appliance correctly or ensuring regular servicing and maintenance of the appliance and chimney system. It is now a requirement for an electronic carbon monoxide detector conforming to BS EN 50291 to be fitted in the room where the appliance has been installed. This should be maintained and tested in accordance with the manufacturer's instructions.

Hearths

All Chesneys freestanding wood and multi fuel stoves can be fitted on a 12mm hearth providing there is sufficient load-bearing capacity.

Chesneys recommend a minimum distance in front of the stove that allows the door to be opened fully and not overhanging the hearth. This is a Chesneys recommendation only please refer to Document J Section 2 diagrams 26 & 27.

Flue Requirements

The chimney must be swept before installation and checked for soundness and suitability. The chimney must also be free from cracks and blockages.

If you find the chimney is in a poor condition then expert advice should be sought.

If the stove is fitted in place of an open fire then the chimney should be swept one month after installation to clear any soot falls which may have occurred due to the difference in combustion between the stove and the open fire.

The chimney and connecting flue pipe must not narrow to less than the size of the flue outlet of the stove at any point.

This appliance must not be used in a shared flue system.

The minimum flue draft is 12 pascals at nominal output.

Minimum flue height 5 metres.

The 150mm diameter flue models may be increased to 170mm diameter.

The 130mm diameter flue should be increased to 150mm. A 130mm flue may be used when the stove is fitted in the smoke control mode, i.e. Smoke tab removed or DEFRA exemption bolt fitted.

If appliance is fitted in an area that has another flue (mechanical or otherwise) a flue interference test must be completed and recorded. The appliance must be checked with reference to ADJ 1.21, and necessary action taken.

Installation

In addition to these instructions the requirements of BS 8303 and BS EN 15287 must be fulfilled. Local Authority Bylaws and Building Regulations regarding the installation of Solid Fuel burning appliances, flues and chimneys must also be taken into account. The installation is a notifiable building works as defined in the Building Regulations and that it is a legal requirement under England and Wales Building Regulations that the installation is either carried out under Local Authority Building Control approval or is installed by a Competent Person registered with a Government approved Competent Persons Scheme.

If the stove is installed in an area that has an extractor fan or another flue is being used a flue interference test must be undertaken and appropriate action taken.

Ensure adequate access to cleaning doors is maintained.

If the chimney is believed to have served an open fire installation previously, it is possible that the higher flue gas temperature from a closed appliance may loosen deposits that were previously firmly adhered, with the consequent risk of flue blockage. It is therefore recommended that the chimney be swept a second time within a month of regular use after installation.

Therefore this appliance and installation must comply with the following regulations:-

British Standards BS 8303. BS EN 15287-1:2010

Building Regulation Approved Document J for England and Wales

Building Regulations Part F for Scotland

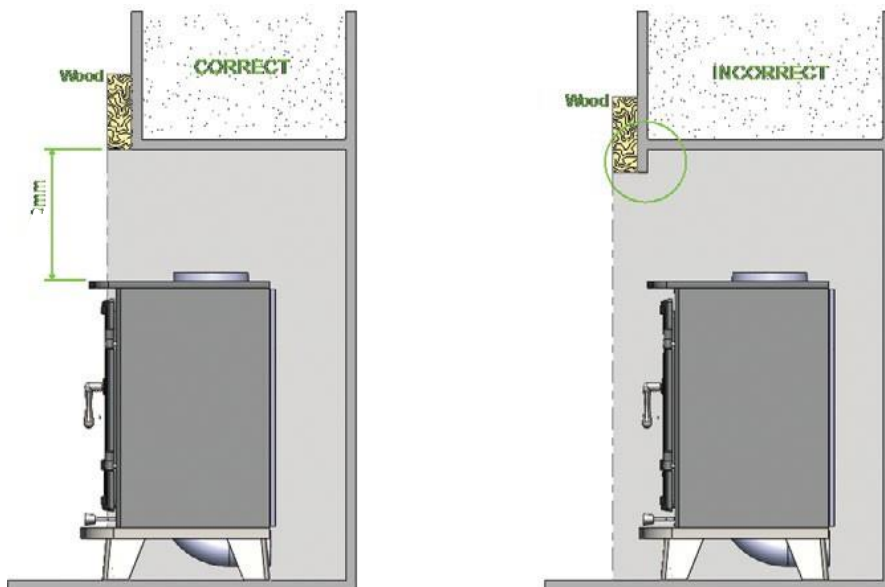
Building Regulations/1997 Technical Guidance Approved Document

J-Heat Producing Appliances for the Republic of Ireland Registered

Body: HETAS (GB only) INFO (Ireland)

This appliance must be fitted by an approved installer or inspected and signed off by a Building Control Officer.

Installation Method for Distance to Combustibles Above Diagram 1



The closure plate must be fitted in such a way it does not allow the build up heat in the fire chamber i.e. flush as shown, the stove must also be in line or protruding forward beyond the fire chamber. The regulations governing connecting flue pipes must be adhered to.

PLEASE NOTE: Dimension from top of the stove to wood in Diagram 1 must be as per the distance Above listed in the Distance to Combustibles table relevant to your stove.

Converting Top to Rear Exit

All stoves can be converted and are pre-assembled for a top exit. A blanking plate is available please contact your local stockists.

Fire Cement

Some types of fire cement are caustic and should not be allowed to come into contact with the skin. In case of contact wash immediately with plenty of water.

To Convert the Alpine Stove to Rear Exit:

The fire cube will need to be removed from the Alpine cladding.

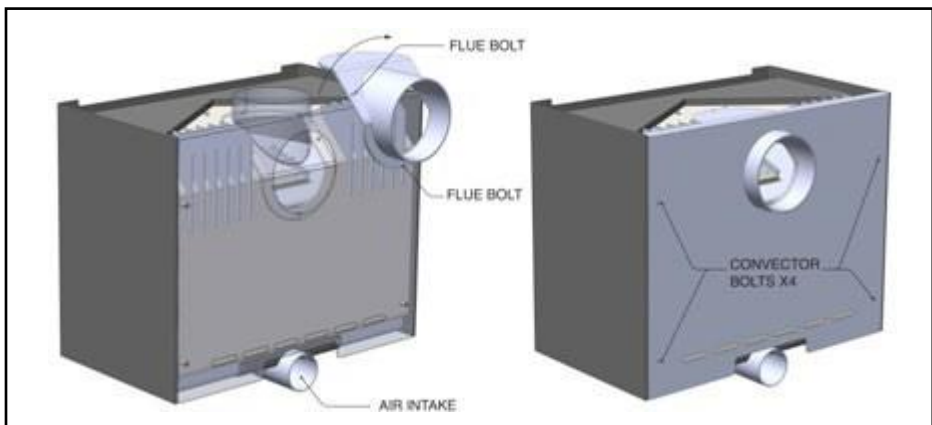
- 1) Remove door by opening and taking the weight whilst undoing the hexagonal bolts that hold the hinges in place, the door is cast iron and therefore heavy.
- 2) Look under the fire box and you will see 8 bolts. 4 are holding the fire box to the cladding and 4 are levelling bolts (these can be adjusted to line up the fire cube and door to the cladding). Undo the 4 x retaining bolts.
- 3) Remove both baffles and undo the flue collar retaining bolts. Push the flue collar up and twist, it will be held on by two lugs.
- 4) Remove the rear convector panel by undoing the four hexagonal bolts.
- 5) Lift the fire cube out of the cladding from the back.
- 6) Remove the flue collar from the cladding by twisting.
- 7) Remove the rear exit blanking plate and place in the top of the fire cube ensuring the seal is intact and seated correctly.
- 8) Fit the flue collar to the rear exit ensuring the seal is intact and seated correctly.
- 9) Knock out pre cut panel in rear convector panel.
- 10) Refit fire cube, loosely secure fire cube to the cladding using the levelling bolts to line up fire cube with cladding. When in position tighten the four securing bolts.
- 11) Replace door and rear convector panel and place decorative blank on top of stove cladding.

To Convert the Wood Burning 4kW Eco 2022, 5WS, 5WS MK2, 8WS (6kW and 8kW), 8WS (6kW and 8kW) MK2 Stoves and the Multi Fuel 6 and 8 Series Stoves to Rear Exit:

- 1) Remove lid.
- 2) Undo the two flue collar retaining bolts and lift collar off.
- 3) Remove the rear convector panel by undoing the four hexagonal bolts and knock out the pre cut panel.
- 4) Undo blanking plate retaining bolts and remove from rear of stove.
- 5) Place flue collar on to rear of stove ensuring seal is intact and seated correctly and secure with the two bolts.
- 6) Replace rear convector panel with the hexagonal bolts.
- 7) Place blanking plate from rear of stove into the top of the stove ensuring seal is intact and seated correctly securing with 2 bolts.
- 8) Replace lid with the decorative blank.

To Convert the 12, 12WS and 12WS MK2 Stove to Rear Exit:

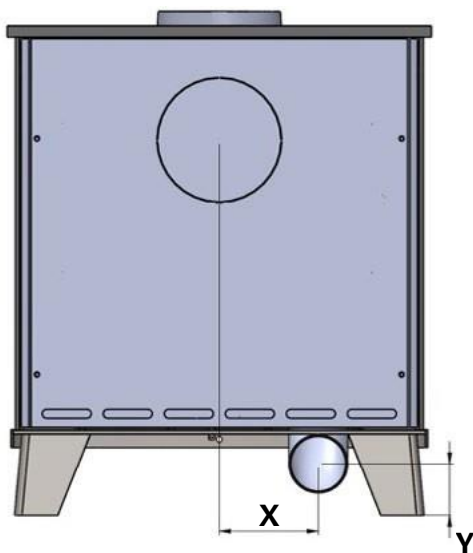
- 1) Remove the lid.
- 2) Remove the rear convector panel 4 x bolts.
- 3) Remove the 4 flue collar retaining bolts, lift collar, twist through 90 degrees and replace ensuring the seal is maintained.
- 4) Replace the 4 retaining bolts.
- 5) Replace the rear convector panel.
- 6) Replace the lid and cover the hole with a flue collar blank (supplied separately).



Air Inlet Manifold

There is a 80 mm external diameter air inlet pipe factory fitted.

If you are installing an external air supply, position the external air inlet so as to it not being susceptible to blockage from plants or snow. The position of the air inlet must take into account atmospheric conditions i.e. prevailing winds.



| STOVE | X | Y |
|---|-------|-------|
| BEAUMONT 5WS and 5WS MK2 | 0mm | 50mm |
| SALISBURY 5WS and 5WS MK2 | 0mm | 50mm |
| SALISBURY LS 5WS and 5WS MK2 | 0mm | 210mm |
| SHOREDITCH 5WS and 5WS MK2 | 0mm | 50mm |
| SHOREDITCH LS 5WS and 5WS MK2 | 0mm | 194mm |
| BEAUMONT 8WS and 8WS MK2 | 133mm | 105mm |
| SALISBURY 8WS | 133mm | 70mm |
| SHOREDITCH 8WS and 8WS MK2 | 133mm | 95mm |
| SALISBURY 12 Series, 12WS and 12WS MK2 | 0mm | 107mm |

External Air Supply

HETAS registered installers should consider the following HETAS Technical Information Notes on pages 48-51 before undertaking the installation of a stove with a dedicated air supply.

Chesneys 8WS (6kW and 8kW), 8WS (6kW and 8kW) MK2, 12, 12WS and 12WS MK2 Wood

Burning stoves feature an air inlet manifold of 80mm in diameter at the base of the stove. Our

5WS and 5WS MK2 stoves feature a 60mm air inlet manifold that should be increased to 80mm

using an official Chesneys direct Air kit.

This air inlet provides all the air for combustion both primary and secondary when the door is closed.

When the door is opened the air is automatically directed from the outside into the room not the fire chamber. Resulting in fresh air being drawn from the outside into the room and subsequently into the fire chamber via the open door.

The effect of fitting a dedicated air supply effectively moves the air inlet from under the stove to some distance away, the same can be said for the exhaust this has been moved from the stove flue collar to the top of the flue exit.

A flue draft calculation should be completed before any installation to ascertain if the flues design is suitable to remove the exhaust gasses, or at the very least a smoke test is carried out to gauge the effectiveness of the flue.

The same calculation should be carried out giving the flue design and the total length including bends of the air inlet prior to the installation. There is a guidance table on page 19-20 giving heights of flue and lengths of air inlet.

There is an air flow test point fitted on the top of the stove at the back right side under the lid image on page 20.

You must carry out a spillage test to confirm the complete system from the air inlet to the flue terminal is working as designed, if the stove fails a spillage test action indicated in the spillage test must be carried out. Do not leave the stove spilling.

You must record the air flow draft and confirm a spillage test has been carried in the User and Instruction Manual, page 47.

The following have an influence on a failed spillage test: Flue design, insulation, cold flue, flue termination, air inlet position, down draft, atmospheric condition, depressurised room, type and suitability of fuel all are beyond Chesneys control and must be taken into consideration during any flue spillage investigation.

The installer must only use a dedicated external air kit supplied by the manufacturer of the appliance. This must be installed to meet all the requirements of the manufacturers instructions ref page 19-20, Local Building Regulations requirements and appropriate standards.

Flue Draft with External Air Supply

Chesneys advise getting a flue draft calculation prior to any installation, this calculation is even more important if you are connecting to an external air supply. Below are a couple of examples done by Poujoulat UK, note these are based on straight flue. Please note the maximum tested air inlet length is 2m with 2 x 90 degree bends, this should not be exceeded. The maximum corrugated flexi should not exceed 500mm.

Draft generated at Nominal output 6kW / 8kW

1m connecting flue pipe with 150mm Starflex liner.

*80mm internal diameter metal smooth bore air inlet pipe. The external grill to have a free area of a minimum 3000mm²

**80mm internal diameter metal corrugated flexi pipe.

| Flue Height | 50mm Inlet* | 1m Inlet* | 1.5m Inlet* | 2m with 2 x 90-degree bends* | 1m Corrugated Flexi** |
|-------------|-------------|-----------|-------------|------------------------------|-----------------------|
| 4.5m | 17 / 17.5 | 17 / 17 | 16 / 15 | 16 / 13 | 16 / 15 |
| 8m | 27 / 29 | 27 / 29 | 26 / 28 | 25 / 25 | 27 / 27 |
| 15m | 38 / 46 | 37 / 45 | 37 / 44 | 35 / 41 | 36 / 44 |

Draft generated at Nominal output 6kW / 8kW

Poujoulat 150mm twin wall flue TI system.

*80mm internal diameter metal smooth bore air inlet pipe.

The external grill to have a free area of a minimum 3000mm²

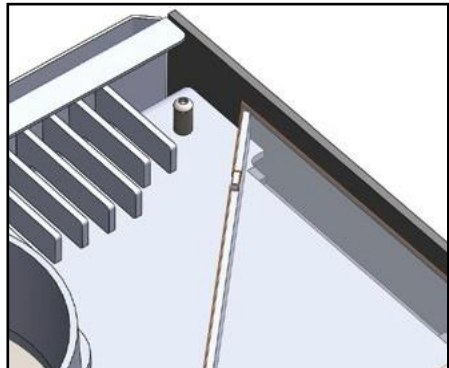
**80mm internal diameter metal corrugated flexi pipe.

| Flue Height | 50mm Inlet* | 1m Inlet* | 1.5m Inlet* | 2m with 2 x 90-degree bends* | 1m Corrugated Flexi** |
|-------------|-------------|-----------|-------------|------------------------------|-----------------------|
| 4.5m | 19 / 19 | 17 / 18 | 17 / 17 | 16 / 14 | 17 / 17 |
| 8m | 30 / 33 | 30 / 32 | 29 / 32 | 27 / 29 | 29 / 31 |
| 15m | 48 / 56 | 47 / 55 | 46 / 54 | 42 / 51 | 46 / 54 |

The structure and air tightness of the building must be taken into consideration and not compromised when installing an external air supply. Seek specialists advise.

A suitable spillage test must be completed and recorded on page 51 on commissioning any stove fitted with an external air supply.

The air flow test point is positioned under the lid at the rear left hand corner, lift and twist the lid to expose.



Smoke Control

The following stoves are DEFRA Exempt and therefore recommended for use in a Smoke Control Zone when operated in accordance with these instructions:

4kW Eco 2022 (4.0kW): Salisbury, Beaumont, Shoreditch, Shoreditch LS, Shoreditch XLS, Milan, Alpine.

5WS and 5WS MK2 (4.8kW): Salisbury, Salisbury LS, Beaumont, Shoreditch, Shoreditch LS.

6 Series (7kW): Salisbury, Beaumont, Shipton, Belgravia, Shoreditch, Shoreditch LS, Shoreditch XLS, Milan, Alpine.

8 Series (8kW): Salisbury, Salisbury LS, Beaumont, Shipton, Belgravia, Shoreditch, Shoreditch LS, Shoreditch XLS.

8WS (6kW and 8kW) and 8WS (6kW and 8kW) MK2: Salisbury, Beaumont, Shoreditch.

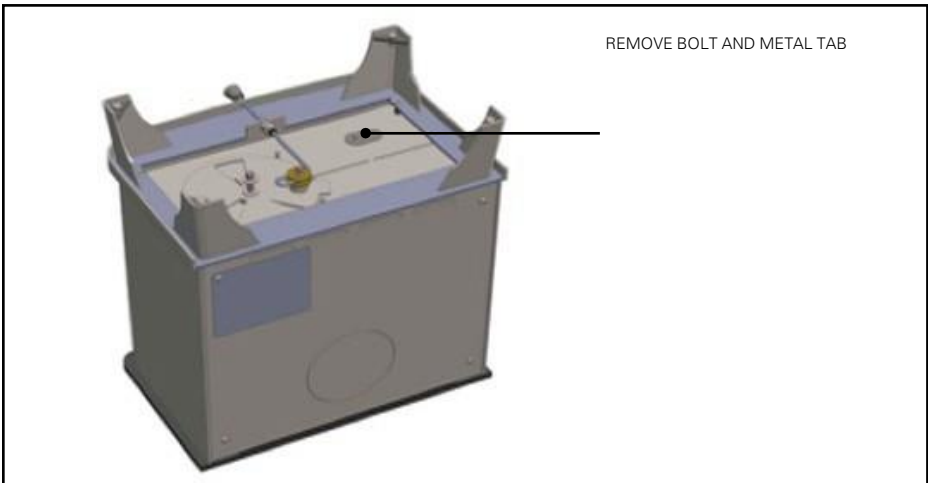
Double Sided 8 Series (8.1kW): Salisbury.

12 Series (10.8kW): Salisbury.

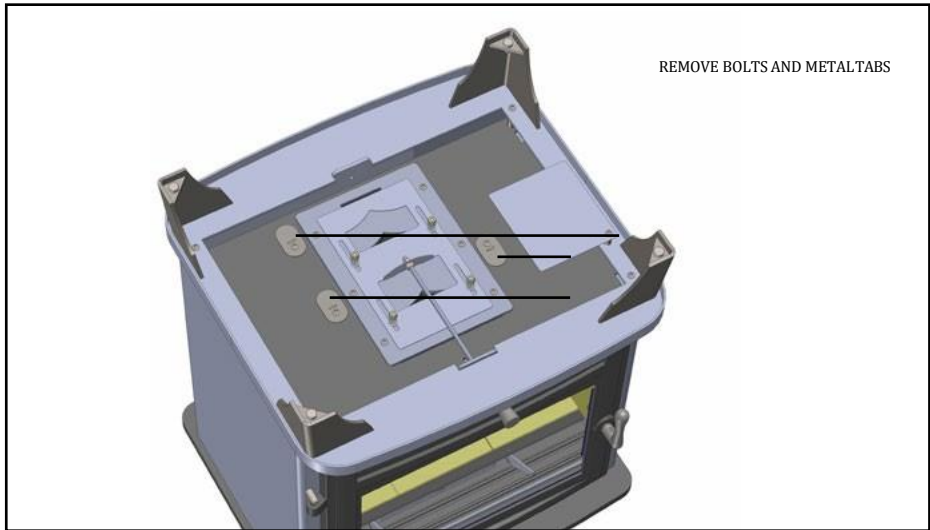
12WS and 12WS MK2 (10.6kW): Salisbury

- Multi Fuel 6 and 8 Series and Double 8 Series stoves feature “Smoke Tabs” which must be removed when being fitted in a smoke control zone. The “Smoke Tab” is fitted on the underside of the fire cube. The Multi Fuel 6 and 8 Series have one “Smoke Tab” and the Double 8 Series has three. All must be removed with the retaining bolt and discarded.

6 and 8 Series Multi Fuel Stove Smoke Control:

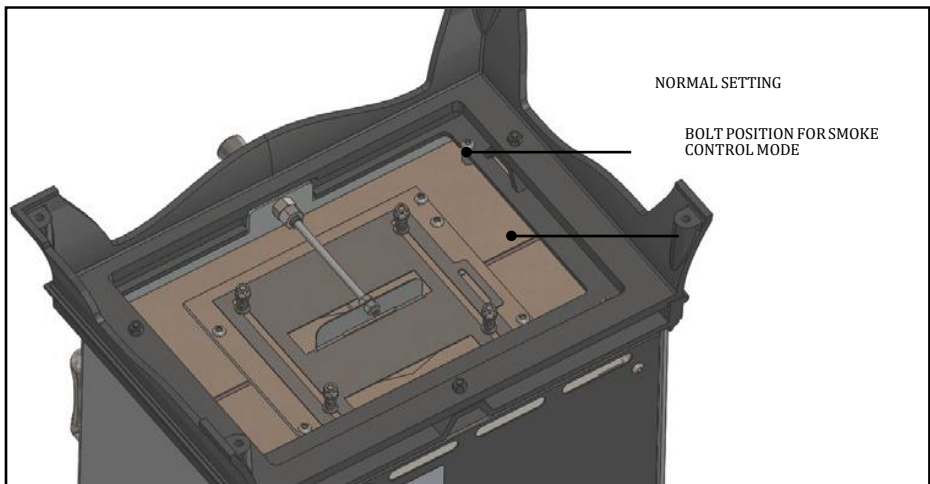


Double Sided 8 Wood Burning Stove Smoke Control:

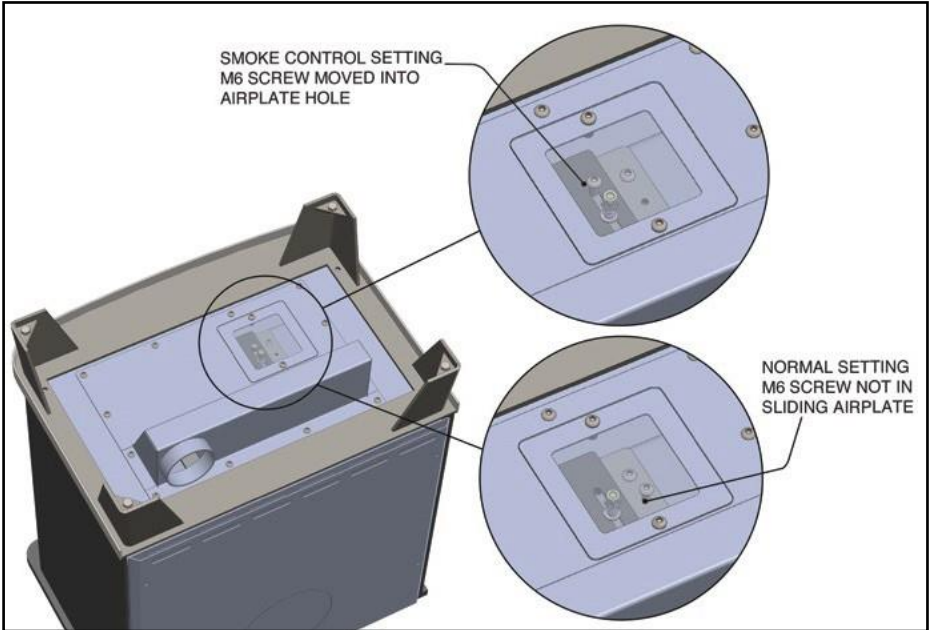


- Our 4kW Eco 2022, 5WS, 5WS MK2, 8WS (6kW and 8kW), 8WS (6kW and 8kW) MK2, 12, 12WS and 12WS MK2 Stoves must be fitted with a mechanical stop when being fitted in a smoke control zone. On the 4kW Eco 2022 series the air controller adjusts both secondary and tertiary air simultaneously, and incorporates a stop to prevent closure to less than 8mm open, see diagram below. On the 5WS, 5WS MK2, 8WS 8kW and 8WS 8kW MK2 stoves this restricts closure of the secondary air controls beyond 13mm open. On the 8WS 6kW and 8WS 6kW MK2 stoves this restricts closure of the secondary air controls beyond 22mm open. On the 12, 12WS and 12WS MK2 this prevents closure of the air flow bar beyond 98mm open, please see page 23 for a diagram of this.

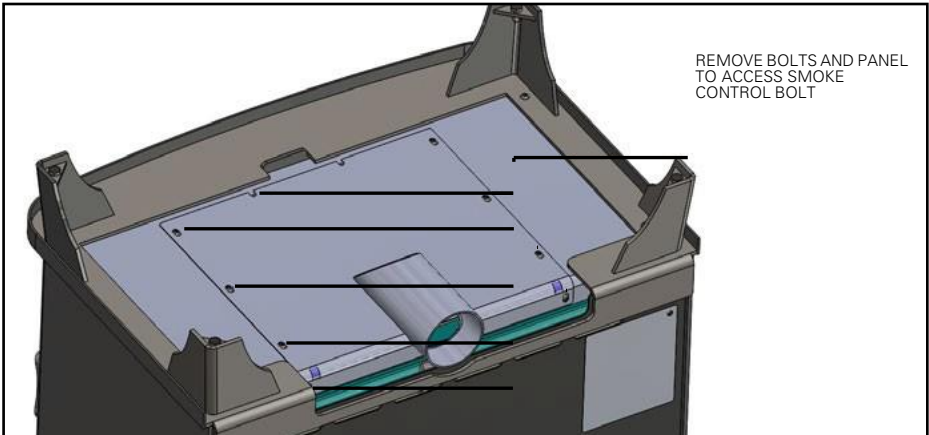
4kW Eco 2022 Wood Burning Stove Smoke Control:



5WS, 5WS MK2, 8WS (6kW and 8kW) and 8WS (6kW and 8kW) MK2 and 12, 12WS and 12 WS MK2 Wood Burning Stove Smoke Control:



Access to 12, 12WS and 12WS MK2 Smoke Control:



Stove Operation in Smoke Control Zones

Make up fire as described page 38. Do not reduce the Air Flow Bar until the kindling and logs are fully blackened, this may take 2-5 minutes (moisture content and type of wood will dictate this) on lighting and on refuelling. You must always refuel on a hot bed of ash.

Do not overload the stove.

When refuelling at low outputs the air control rod must be fully open for about 1 minute, then set for desired output.

The quality of your fuel is of utmost importance. Only burn logs that carry the 'Ready to Burn' logo and smokeless fuels.

Dampers Left Open - Operation with the air controls or appliance dampers open can cause excess smoke. The appliance must not be operated with air control, appliance dampers or door left open except as directed in the instructions.

The Clean Air Act 1993 and Smoke Control Areas

Under the Clean Air Act local authorities may declare the whole or part of the district of the authority to be a smoke control area. It is an offence to emit smoke from a chimney of a building, from a furnace or from any fixed boiler if located in a designated smoke control area. It is also an offence to acquire an "unauthorised fuel" for use within a smoke control area unless it is used in an "exempt" appliance ("exempted" from the controls which generally apply in the smoke control area).

In England appliances are exempted by publication on a list by the Secretary of State in accordance with changes made to sections 20 and 21 of the Clean Air Act 1993 by section 15 of the Deregulation Act 2015. Similarly in Scotland appliances are exempted by publication on a list by Scottish Ministers under section 50 of the Regulatory Reform (Scotland) Act 2014.

In Northern Ireland appliances are exempted by publication on a list by the Department of Agriculture, Environment and Rural Affairs under Section 16 of the Environmental Better Regulation Act (Northern Ireland) 2016.

In Wales appliances are exempted by regulations made by Welsh Ministers. The

Smoke Control Tab(s) **MUST BE REMOVED** for use in a smoke control area. Chesneys range of Wood Burning and Multi-Fuel stoves have been recommended as suitable for use in smoke control areas when burning HETAS approved wood logs and smokeless fuel only.

Further information on the requirements of the Clean Air Act can be found here:

<https://www.gov.uk/smoke-control-area-rules>

Your local authority is responsible for implementing the Clean Air Act 1993 including designation and supervision of smoke control areas and you can contact them for details of Clean Air Act requirements.

Commissioning

Check all internal parts are fitted correctly and there are no gaps between the firebricks and baffles and the log retainer is secure:

Wood Burning 4kW Eco 2022, 5WS, 5WS MK2, 8WS (6kW and 8kW), 8WS (6kW and 8kW) MK2, Double Sided 8 and 12 Series Stoves:

Secondary baffle.

Firebricks: base, back, sides and baffle.

Metal flue protector strip on top of the back brick (only on the 4kW Eco 2022). Log retainer (not fitted on the Milan 4 Series).

Multi-Fuel 6 and 8 Series Stoves:

Secondary baffle.

Ash pan.

Cast iron grate complete with riddling section.

Log retainer.

Firebricks: rear and sides.

Check all the levers are operating fully and freely. The riddling bar on the right hand side of the stove should move the circular riddle grid.

Check the Fuel Selector Lever (left hand side of the stove).



On completion of installation after allowing any fire cement & mortar to dry out, the stove should be checked so that all seals/joints are sound. The flue should also be checked by lighting a small fire and checking fumes are taken from the appliance up the chimney and emitted safely.

The Curing Process

Your Chesneys stove has been designed to operate with minimum effort. As with all wood burning and multi fuel stoves your new stove will need to be 'cured' before commencing normal use.

For the first lighting of the stove after installation it is **VERY IMPORTANT** that the door remains slightly ajar during the first firing. During the first firing the paint finish goes through a curing process which will soften the paint with the heat. As the stove cools down the paint will harden. This process can take several firings, and will depend on the temperature achieved and for how long the fire has been left to burn.

Leaving the door slightly ajar during the first firing will prevent the rope from sticking to the softened paint during the curing process.

It is also very important the paint is not touched during this process. Due to the newness of materials, the fire will give off an unpleasant odour for a period of time after commissioning. This is quite normal as the paint cures and will disappear after several uses once the stove has been operating at its normal temperature for several hours.

Operate the appliance at a low output for the first few burns to allow the curing of the materials. Use kindling only on the first two fires which should burn for 15-20 minutes with the second burn being started whilst the appliance is still warm. A full fire should be burnt for 45-60 minutes, again starting while the appliance is still warm, then allowed to cool naturally. Your paint should have now cured and no longer give off fumes or smoke.

Avoid contact with the painted surfaces of the appliance during the first periods of use. During this process use the complimentary gauntlets carefully to avoid brushing the soft paint off the door.

Keep the room well ventilated to avoid a build up of fumes.

Please note that the Parchment paint is more susceptible to marking and soot transference and as a result Chesneys cannot be held responsible for marks made on the stove by the gauntlets or by other means. All paint finishes are able to be touched up to a factory finish – please see notes on paint application.

Stove Paint Application Instructions

Chesneys stove paint is quality, fast drying high temperature paint for use on wood, multi-fuel and gas stoves and other steel and cast iron products with in-service temperatures to 650°C. This product is not recommended for Vitreous Enamelled surfaces. Stoves, as supplied by the manufacturer, can be successfully repainted but problems can occur if painting the stove for the third time. Here it is necessary to remove most of the first two coats in order that the final paint thickness is not too great. If in doubt please contact your supplying dealer in advance of using this product for more information.

DIRECTIONS

Allow stove to go out and the surfaces to cool. Scrape off any loose paint. Lightly sand any existing sound paint to provide key. Remove all dust, dirt, rust and grease. It is essential that the surface is extremely clean. Protect surrounding furnishings and carpet from spray mist. This aerosol is designed to work at room temperature (20°C-25°C) and should be stored inside for several hours prior to use. Before spraying, shake can vigorously for 3 minutes after mixing ball rattles. This is especially important when using light colours as these have more pigments to mix. For best results the appliance also needs to have been stored in an environment to room temperature (20°C-25°C) for several hours prior to the painting process commencing. If painting steel flue sections then these will also need to be pre-heated. Ensure work area is well ventilated and you are not spraying near naked flames or any incandescent materials. Point spray nozzle towards object. Hold can between 300mm-375mm (12"-15") from surface to be painted. Press spray firmly. Use steady even strokes. Several thin coats give a better finish than one heavy coat. Do not apply more paint than is necessary. If clogging develops, remove spray nozzle with a twisting motion and clean. Never stick pins or sharp objects into the can. Gently replace spray nozzle with a twisting motion pointing away from you. After use, invert can and spray for a few seconds until no paint, only clear solvent, escapes. This will clean the tube and spray nozzle and allow for easier future use. During the painting process, while drying and for the first 3 times you use your appliance, open windows, doors and if necessary use fans to provide a fresh airflow, as the paint will give off fumes and smoke during the curing process.

Cure Process: Use kindling only on the first two fires which should burn for 15-20 minutes with the second burn being started whilst the appliance is still warm. A full fire should be burnt for 45-60 minutes, again starting while the appliance is still warm, then allowed to cool naturally. Your paint should have now cured and no longer give off fumes or smoke.

These application instructions must be followed strictly for successful application of Chesneys stove paint and the company can not be held responsible for incorrect storage, preparation, application and usage.

First Lighting & Operation

This appliance is not to be used as an incinerator. Only HETAS approved wood logs and smokeless fuels are recommended by Chesneys for use in this appliance.

This appliance is design to operate with the door closed, except for lighting and reloading, failure to close the door during operation can result in fume spillage.

Warning Note:

Properly installed, operated and maintained this appliance will not emit fumes into the dwelling. Occasional fumes from de-ashing and re-fuelling may occur. However, persistent fume emission is potentially dangerous and must not be tolerated. If fume emission does persist, the following immediate actions should be taken:

Open doors and windows to ventilate room then leave the premises. Let the fire out or eject and safely dispose of fuel from the appliance. Check for flue or chimney blockage, and clean if required.

Do not attempt to relight the fire until the cause of the fume emission has been identified and corrected. If necessary seek expert advice.

Your installer should have fitted a CO alarm in the same room as the appliance and in accordance with Building Regulations Document J. If the alarm sounds unexpectedly, follow the instructions given under "Warning Note" above.

Note:

Before lighting please note the following points:

Chesneys stoves must only use HETAS approved wood fuels and smokeless coal. Do not use any liquid fuels.

Do not over load your stove.

Never empty the ash when the fire is alight.

Do not burn solid fuel and wood at the same time. Wood burns from the top down, whereas solid fuel burns from the bottom up, therefore there is a conflict of air supply for complete combustion of your fuel.

The fuel selector must always be either wood or solid fuel. Do not set half way.

Always use the glove provided to operate the handle and controls.

This appliance will get very hot and fireguards must be used where appropriate.

Internal Bricks and Vermiculite Baffles:

The internal bricks and vermiculite baffles are subject to great heat and are designed to withstand temperatures in excess of to 1000 degree Celsius, they are used to increase the efficiency of the burn and aesthetics. They become very brittle when heated and care should be taken not to knock the bricks when reloading.

They are also very susceptible to moisture. When the moisture inside the bricks heats up quickly the water turns into steam and is forced out through the brick often resulting in the brick splitting. To avoid this, have one or two small fires to condition or dry out the bricks, a small fire is considered a handful of kindling without any logs, the stove should still be cool to the touch, allow the fire to go cold and repeat. If you see moisture on the inside of the glass when you light your stove this moisture is being absorbed by the bricks and you should slowly build up the temperature of your stove over a 50 minute period, also if the stove has not be lit for a prolonged period of time the moisture in the chimney flue will also be absorbed by the bricks, so once again a couple of small fires to slowly draw any moisture out of the bricks. Care must be taken when de-ashing or handling not to scrape or knock the bricks as this may cause them to split or deteriorate.

The bricks should be replaced when they have eroded by 25% or you can see the steel behind them. Cracked bricks are fine to use, unless the gap is 3mm or greater at which point the brick should be replaced.

Wood Burning 4kW Eco 2022, 5WS and 8WS Series Stoves

These are designed for wood burning only.

There is one Air Control Lever - The Air Flow Bar that automatically distributes the air for combustion into the top or rear of the furnace.

Pull the bar out for more air giving more heat and a faster burn. Push the bar in for less air giving less heat and a slower burn.



Multi Fuel 6 and 8 Series Stoves

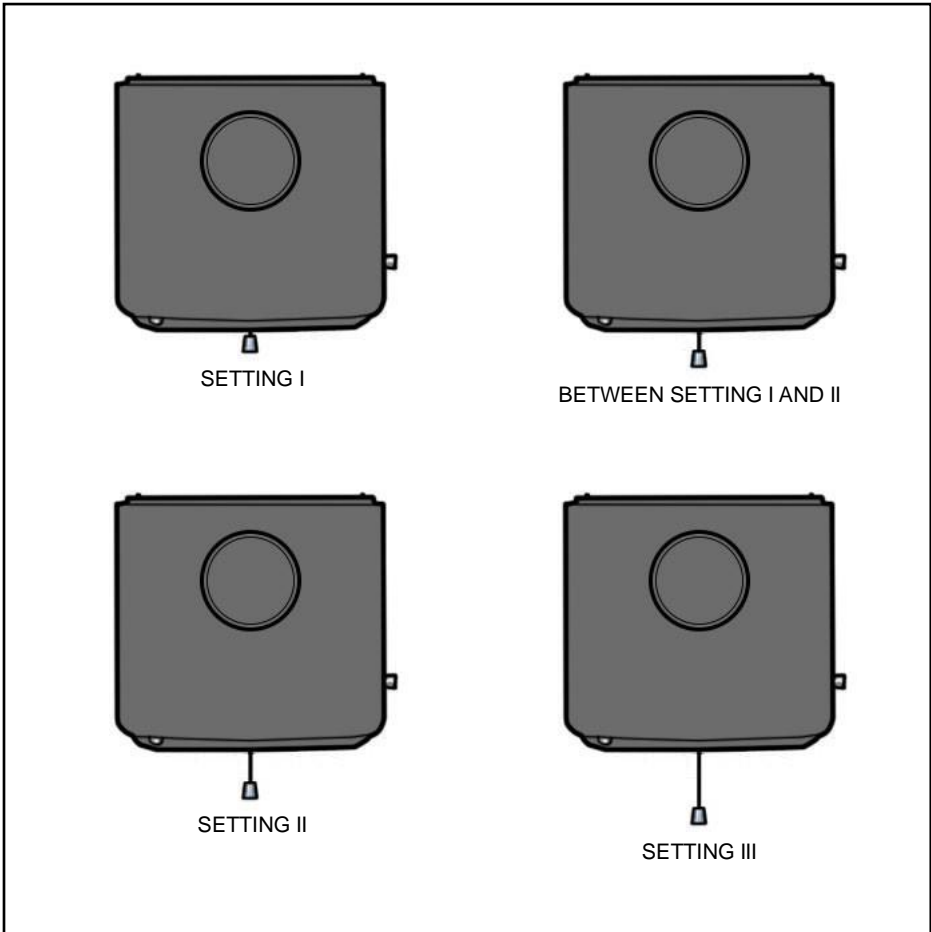
These are designed for use with wood and solid fuel.

They have the following controls:

Fuel selector lever, air flow bar and riddling lever.



Air Flow Bar Settings



Fuel Selector Lever in the Wood Setting (Rear position):

Setting I primary and secondary air closed. Air flow bar fully closed.

Between Setting I and II primary air shut secondary partially open.

Setting II primary air shut secondary open fully. Air flow bar partially extended.

Setting III primary and secondary air open fully. Air flow bar is fully extended.

Fuel Selector Lever in the Solid Fuel Setting (Forward position):

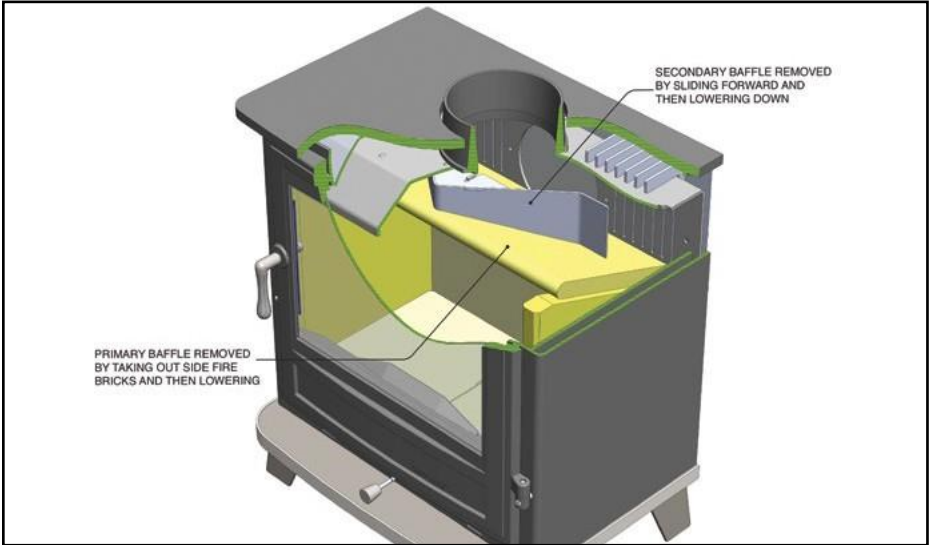
Setting I primary and secondary air very slightly open allowing a small amount of air into the system.

Between Setting I and II primary and secondary air partially open.

Setting II primary air open secondary air partially open. Air flow bar partially extended. **Setting III** primary and secondary air open fully. Air flow bar is fully extended.

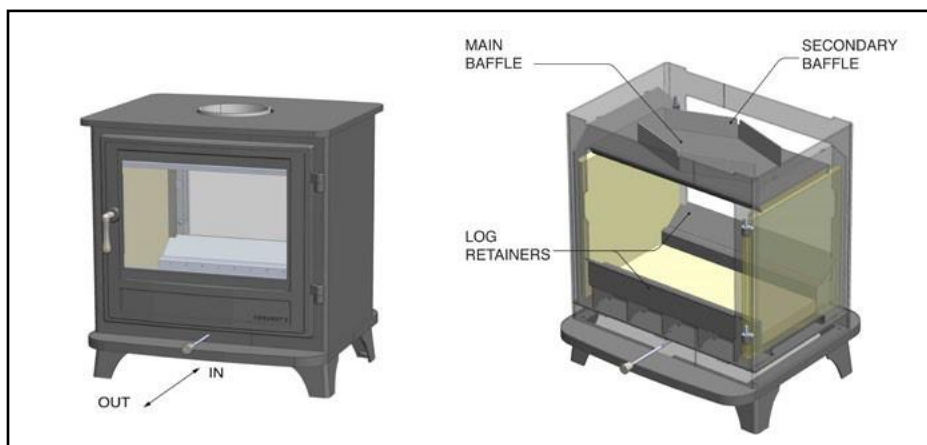
Wood Burning 8WS Series 6kW and 8WS Series 8kW Stoves

Baffle



Wood Burning Double Sided 8 Series Stove

The Double Sided 8 Series Stove has a single air control lever; this controls both primary and secondary air into the stove.



With the air control bar fully out the maximum air is entering the stove at the top (pre-heated air wash) and at the base of the firebox. When the air control bar is pushed in the air is reduced proportionally between the air wash and base of the firebox to achieve the best "burn". When the air control bar is fully in there is still a small amount of air entering the stove via the air wash.

The "front" of the stove is considered the side with the air control bar, the rear has a double glazed door and will radiate less heat, these doors can be swapped round.

Baffle

The main baffle and secondary baffle are one piece and are removed as one piece. It is removed by folding in the side bricks, it can then be removed through the front or the rear of the stove.

Take care as there will be sooty deposits on the top of the baffle.

The baffle must be fully removed before sweeping through the stove.

The vermiculite floor, side, rear and baffle are consumable these will need to be replaced as required.

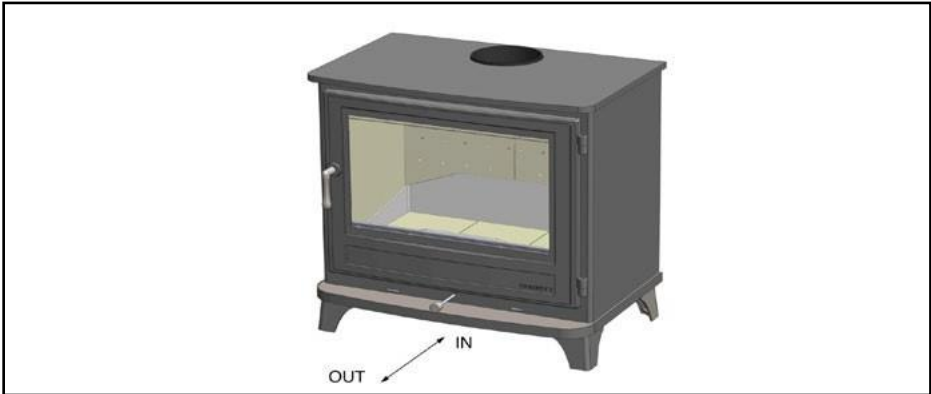
To remove these consumables:

1. Lift out the log retainer's 2 in number.
2. Remove the floor brick.
3. Hold the weight of the baffle and fold in one side brick.
4. Fold in the other side brick.
5. Remove the baffle (there will be sooty deposits on top of the baffle).
6. The two side bricks can now be removed.

To replace simply reverse the above instructions.

Wood Burning 12 Series Stoves

The 12 Series Stove has a single air control bar; this controls both primary and secondary air into the stove.

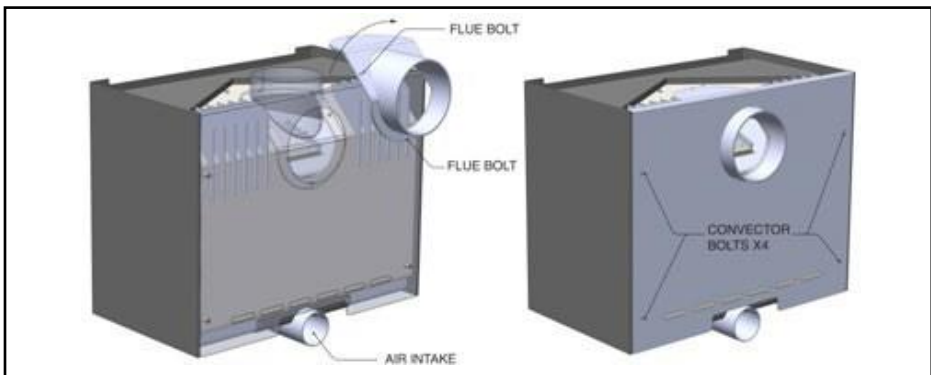


With the air control bar fully out the maximum air is entering the stove at the top front (air wash) and through the rear bricks. When the air control bar is pushed in the air is reduced proportionally between the air wash and the rear brick to give the best "burn". When the air control bar is fully in there is still air entering the stove via the air wash. Before lighting the stove ensure the baffle by-pass is free to operate.

The air inlet manifold must not be blocked.

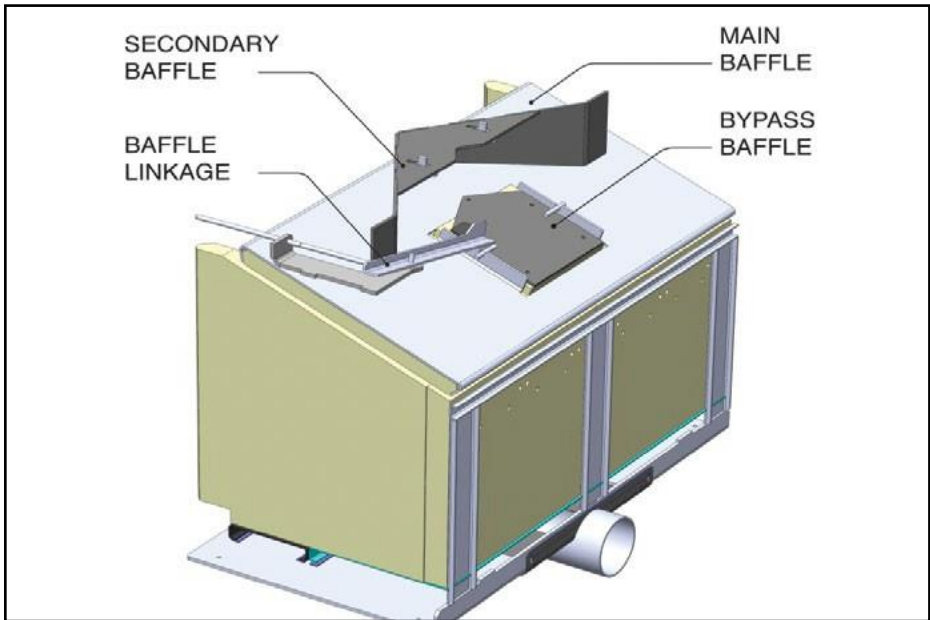
When the air inlet is connected to the outside and the door is closed fresh air is delivered into the stove for combustion and not taken from the room. When the door is opened this air is drawn into the furnace via vents on the front face of the stove, with the baffle bypass automatically operating when the door is opened any spillage is reduced to a negligible amount.

If using the air inlet manifold the ducting must be metal and fit over the air inlet. If the air inlet manifold is not being used a 50mm gap must be maintained at all times.



Baffle

The baffle is made up of 4 main parts.

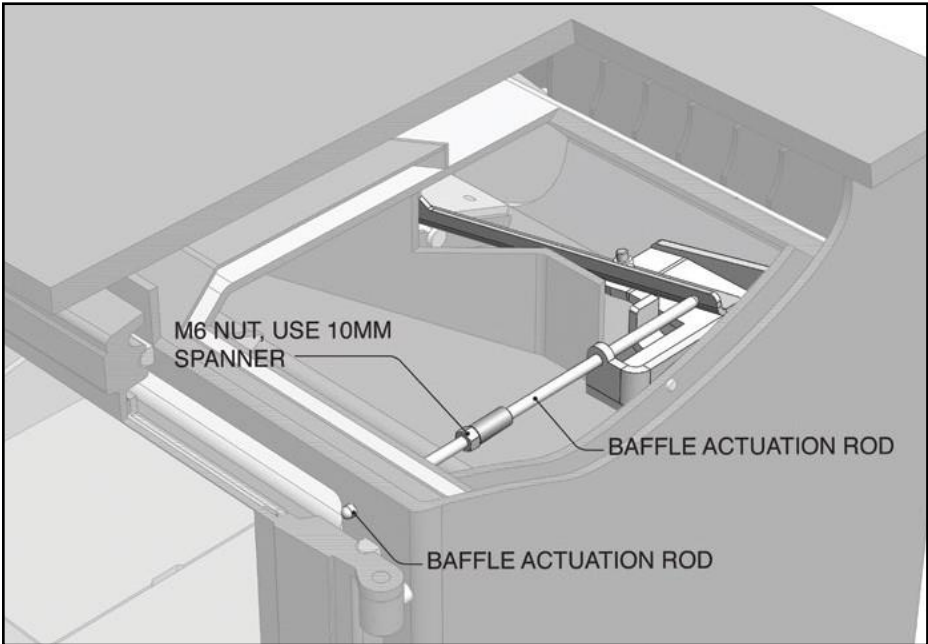


The secondary baffle is secured to the top underside of the stove using the slots provided. It is removed by sliding to the rear of the stove.

The main baffle rests on top of the side bricks. It is removed by “folding” in the side bricks, it can then be removed through the front of the stove.

The bypass baffle is held in place by two retaining brackets and is free to swing under its own weight. The baffle linkage closes this baffle when the door is closed.

If there is a build up of soot/tar on the top of this baffle it will stick, a gentle nudge on the front of this small baffle should free it. If you need to remove this baffle gently push it up 15-20mm twist to the right and remove through the hole in the main baffle, replacing is the operation reversed. The baffle bypass is subject to extreme temperature changes and might not always sit flush with the main baffle when the stove is cold.



The bypass baffle can be adjusted by undoing the M6 nut and rotating the baffle actuation rod in or out, then retighten the M6 nut. Close the door and check the position of the bypass baffle, it should fit flush to the main baffle when the stove is cold. The bypass baffle will not fit flush with the main baffle when the stove is under fire.

The baffle must be removed completely before sweeping through the stove, do not sweep the flue through the bypass baffle.

The vermiculite floor, side, rear and baffle are consumable these will need to be replaced as required.

To remove these consumables:

1. Lift out the log retainer.
2. Remove the floor bricks (3 in number).
3. Remove the steel U shaped brick support.
4. Remove the bypass baffle (refer to page 36).
5. Fold in one side brick taking the weight of the main baffle.
6. Fold in the other side brick and remove the main baffle.
7. The two side bricks can now be removed.

To replace, simply reverse the above instructions.

Lighting

Open the door place a firelighter at the back of the furnace put 6-8 pieces of kindling on top of the firelighter. Place 2 split logs on top of the kindling, set the Air Flow Bar to setting III fully extended. Light the firelighter. If condensation appears on the glass when the door is closed leave ajar and it should clear in a minute or two. Do not leave stove unattended when door is open.

The side and back bricks will go black, when they go clear about 12-20 minutes the fire can be turned down using the Air Flow Bar to the desired setting (normally between setting I and II). The quality of your fuel and chimney draft will dictate your setting.

Refuelling on to a low fire bed

If there is insufficient burning material in the fire bed to ignite fresh fuel, excessive smoke emission can occur. Refuelling must be carried out on a sufficient quantity of glowing embers and ash so that the fresh fuel charge will ignite in a reasonable period. If there are too few embers in the fire bed, add suitable kindling to prevent excessive smoke.

Fuel overloading

The maximum amount of fuel specified in this manual should not be exceeded, overloading can cause excess smoke.

Operation with door left open

Operation with the door open can cause excess smoke. The appliance must not be operated with the appliance door left open except as directed in the instructions.

Refuelling

Always refuel on a hot bed of ash. Pull the Air Flow Bar fully out to setting III. Slowly open the door with the glove provided equalising the pressure inside the fire cube with the room (if you open the door quickly ash will be lifted from the furnace into the room). Place 2-3 logs, bark side down, onto a bed of hot ashes and close the door. When the logs have fully turned black set the Air Flow Bar to the desired setting.

Solid Fuel

The grate should be cleaned out before every lighting using the riddle lever. Set the Fuel Selector Lever to solid fuel (forward position). Open the door and place 2 firelighters at the back of the fire cube and place approximately 1-1.5kg of solid fuel onto the firelighter and set the Air Flow Bar to setting III (fully extended). Light the firelighters and close the door, if condensation appears on the glass when the door is closed leave ajar. Do not leave the stove unattended when the door is open. The majority of the air for combustion in the solid fuel setting comes from under the grate below the fuel. This action reduces the ability of the air wash system and some blackening of the glass may occur. When the solid fuel has an even glow over the fuel bed set Air Flow Bar to the desired setting.

Over Firing

In the event of over firing the stove (flue collar, top of stove or log retainer glowing red/orange) push the air control in fully (with gloves provided) this will shut the appliance down. Over firing will damage the stove and is not covered under the warranty. Over firing can be caused by: over filling the appliance with fuel, burning on maximum setting for prolonged periods, or with the use of non recommended fuels.

In the event of a chimney fire push the air control in fully to prevent air getting to the fire and call the fire and rescue services. Do NOT use the appliance or chimney until inspected by a registered installer/chimney sweep.

If a fire is “uncontrollable” when the air control lever is in check and the door is closed properly, allow the stove to cool and perform a paper test as outlined on page 41.

This appliance is designed to radiate heat. Do not stand too close to the appliance for prolonged periods of time, loose clothing, man made fibres and soft furnishings are at particular risk of burning.

When using the appliance in situations where children, aged or infirm persons are present a fireguard must be used to prevent contact and be manufactured in accordance with BS 8423 fireguards for use with solid fuel appliances.

Chimney Fire Action

If the chimney is thoroughly and regularly swept, chimney fires should not occur. However, if a chimney fire does occur push the Air Control Lever fully in turning “off” the stove and tightly close the doors of the stove. This should cause the chimney fire to go out. If the chimney fire does not go out when the above action is taken then the fire brigade should be called immediately. Do not relight the stove until the chimney and flue-ways have been cleaned and examined by a professional.

Essential Annual Maintenance

To maintain the effectiveness and efficiency of your stove it needs to be serviced or inspected annually by a competent person. This should entail checking these consumable parts:

The chimney must be swept at least once a year for smokeless fuels/wood and a minimum of twice a year for bituminous coal.

If the stove is to be left unused for a prolonged period of time then it should be given a thorough clean to remove ash and unburned fuel residues. To enable a good flow of air through the appliance to reduce condensation and subsequent damage, leave the air controls fully open.

It is important that the flue connection, any appliance baffles or throat plates and the chimney are swept prior to lighting up after a prolonged shutdown period.

The door handle mechanism and the hinges should be removed, cleaned with wire wool or brush and lubricated with Graphite powder. The mating threads (internal door casting and hinge studs) should also be cleaned and lubricated. A smooth action should be confirmed upon reattachment. A sachet of graphite powder is included with your stove.

Door Rope Seal: Still effective. Glass

Seal: Still effective.

Glass: Not cracked.

Fire Bricks: Replace any that have cracks wider than 3mm or deeper than 6mm.

Baffles: Not warped or distorted.

Grates: Not warped and functioning. Log

Retainer: Not damaged or warped. All

controls free and smooth to operate.

The door handle mechanism and the hinges should be removed, cleaned with wire wool and lubricated with Graphite powder.

The installation and flue connection should be checked and the chimney swept annually. Only genuine Chesneys replacement parts should be used and are available from your local stockist or online: **www.chesneys.co.uk/shop**

To find your local stockist log on to: **www.chesneys.co.uk/find-a-stockist** or phone 020 3177 4200.

Door Handles

The door handles and mechanism are designed to be adjustable so they can be wound in or out to achieve a good seal between the door and the stove body and to get more use from the rope seal. This configuration means that the stove handle and mechanism are in two parts and are secured using a grub screw. Throughout use the grub screw will require tightening from time to time to ensure a firm connection. There is an allen key supplied with the stove for this purpose. For appliances with the 90 degree handle configuration see notes on page 41.

Door Seal Testing and Adjustment

Without a good sound airtight seal around the door the stove will not work as designed and will lead to the glass blackening and a loss of control.

Over time the rope seal compresses and the seal between the door and the fire cube is compromised resulting in the need to replace the rope.

Testing the Door Rope Seal

With the stove cold take a piece of paper, open the door and place the paper between the door and the stove. Close the door. The paper should be trapped between the door and the fire cube. There should be some resistance when pulling the paper out. This should be done on all four sides of the door.

Adjusting the Door

Where the paper is not trapped the door needs to be adjusted. If the adjustment needs to be made on the handle side of the stove, wind or unwind the handle one complete turn and retest. For appliances that have a restricted 90 degree handle, release the grub screw on the side of the door boss to allow the mechanism to turn fully. Replace after adjustment. If the handle does not line up with the door simply screw the grub screw in or out until it does.



For adjustments on the hinge side of the stove the door must be removed. Lift the top off the stove, twist and rest on the fire cube. Open the door (Shoreditch, Shipton, Salisbury and Beaumont models) and lift from the hinge pins.

Loosen the grub screws under the hinge pins, rotate hinge pin in clockwise direction to reduce the gap between the door and fire cube, anticlockwise to increase the gap. Replace door and check seal before tightening grub screws.

Alpine Models

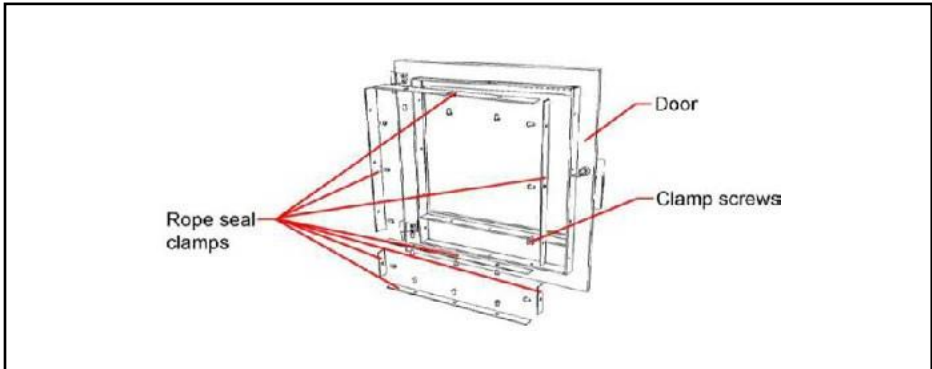
The door will have to be removed as described in the Converting Alpine to rear exit section. Rotate hinge pin clockwise or anticlockwise as described.

Milan Models

There is limited adjustment on this model. Slacken the hinge retaining bolts that secure the hinge to the fire cube body. Now the door is free to move in and out on the hinge about 2-3mm. Retighten and test door seal.

If you cannot achieve an airtight seal with these adjustment the rope seal will need to be replaced.

Always use gloves when handling ceramic rope.



Milan Models

Remove the door from the stove and remove the rope seal clamps. Discard the old rope seal and replace with Chesneys rope seal. Do not tighten rope seal clamps until all bolts are in and hand tight, then tighten all bolts.

Freestanding Series Stoves

Remove door and place face side down on a suitably protected table. Remove old seal and clean the rope seal channel thoroughly with wire a brush. Ensure the rope channel is clean and dust free.

Apply a continuous and even bead of glue in the channel. Place the new ceramic rope onto the glue, being careful not to stretch or twist. Press the rope firmly into the channel. Remove any excess glue.

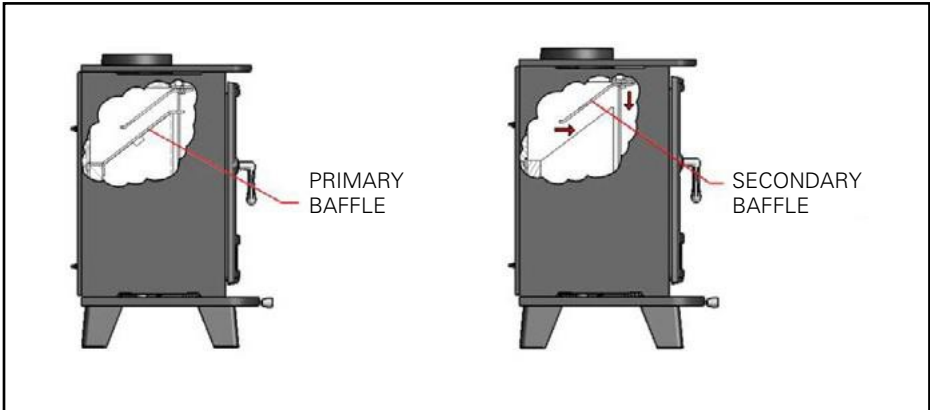
Leave for 2-4 hours before refitting the door, allow 24 hours for the glue to dry.

Baffles

All Chesneys stoves have two baffles which add to the efficiency and ease of use of the stoves.

The first or primary baffle sits on top of the side and rear firebricks. The second baffle is secured onto the roof of the fire cube at the front.

Both baffles will wear out over time and will need replacing. This will depend on the number and length of the fires and type of fuel used.



Note:

The second baffle may be removed when using the rear flue connection.

Cleaning

The body of the stove should be vacuumed with a brush attachment; any marks should be wiped with a fine micro cloth.

Under no circumstances should oil be used on any part of the stove which includes oil in an aerosol i.e. WD40.

The glass can be cleaned with damp newspaper dipped in the wood ash, or use a proprietary glass cleaner, no abrasives should be used.

Always ensure the ash is cold before de-ashing. On the 4kW Eco 2022, 5WS, 5WS MK2, 8WS (6kW and 8kW), 8WS (6kW and 8kW) MK2, Double Sided 8, 12, 12WS, 12WS MK2 stoves scoop out the ash from the base of the fire cube. On the Multi Fuel 6 and 8 Series stoves carefully remove the ash pan from under the grate using the ash pan tool provided and dispose ash in a suitable receptacle. Replace the ash pan close the door and use the riddling mechanism to drop the rest of the ash into the ash pan, open door and remove the ash pan as before.

Useful Information

- Always use the glove provided when operating or refuelling.
- The better the quality of fuel you use the better the efficiency, controllability and clean burn you will experience.
- Aim to get the stove and chimney up to normal operating temperature as quickly as possible.
- Do not turn down the stove down too early.
- Fully blacken the logs before turning down.
- Always reload on a hot bed of ash.
- Let the ash build up when burning wood, 25-35mm deep is ideal.
- Always clean out the grate when burning solid fuel (coal).
- Leaving a bed of ash on the bottom brick of a wood burning stove will help to insulate it and prolong its longevity.
- The heat output will differ with different types of fuel.
- Cracks and splits do occur in the firebricks. If they are less than 3mm in size, they should pose no problems.
- Atmospheric conditions do have an effect on your chimney and subsequently the stove. Some of these conditions will cause your stove to “blow back” into the room, or even prove difficult to light. If these symptoms persist please contact your installer, who will be able to advise if your flue arrangement needs to be reviewed or a new specialised cowl installed.
- Over tightening the door can damage the rope seal and the handle mechanism.
- No aerosols must be used on or in the vicinity of a live or hot stove.

Guarantee

Your Chesneys stove comes with a 12 month manufacturer's guarantee. This is valid from the date of installation. An extended 10 year warranty (inclusive of the initial 12 months), to cover the stove fire cube/box against cracking, splitting and warping, is available by registering the appliance.

Please be aware this extended warranty has to be activated within 28 days of installation. Further details on how to register are available on page 55 of this manual.

This extended warranty is not applicable if purchased through an unauthorised dealer/stockist

The extended warranty is based on normal domestic use. Products used in a commercial setting are not eligible for our extended warranty.

If any part of the fire box/chamber fails due to manufacturing or material defect within the extended warranty period CHESNEYS will at its sole discretion either repair or replace the part at no charge. The decision of CHESNEYS will be final. For the purpose of this extended warranty, a material or manufacturing defect includes the splitting or cracking of the main stove body.

The above points are all subject to an annual service and sweeping of the chimney, being performed by a qualified individual, should this essential maintenance not be completed, the outlined extended warranty terms above will be considered void, and the standard 1 year's guarantee apply to the product.

Removal and re-installation costs will only be covered during the first year only. Cover for the remaining 9 years will be for parts only.

Items such as fire bricks, baffles, glass, seals, ash pans and grates are consumable items and are not covered by a guarantee/warranty. These items will deteriorate over time and will need replacing. The length of time that these parts last will depend on the type of fuel used, and how hot and long the stove is left to run. The firebricks, rope seal and primary baffles are subjected to a huge amount of stress while the stove is under fire and will appear stressed quite quickly and the bricks can sometimes crack. This does not mean their integrity is compromised and they will have plenty of life left in them. The bricks should be replaced when they have eroded by 25% or you can see the steel behind them. Cracked bricks are fine to use, unless the gap is 3mm or greater at which point the brick should be replaced.

In normal usage the paint finish of your appliance may change colour slightly. As these circumstances are considered normal, they are not covered by the guarantee. The paint finish will require touching up or repainting from time to time. Maintaining the finish is normal practice and is not covered by the guarantee.

Full terms and conditions can be found at <https://chesneys.co.uk/warranty-registration>

Dealer & Installer Details

| | |
|--------------------------------------|-----------------------|
| Dealers Name and Contact Details: | Date of Purchase: |
| Installers Name and Contact Details: | Date of Installation: |
| Notes: | |

| | | |
|--|-----|----|
| Appropriate spillage test completed (✓): | YES | NO |
| Flue draft test completed (✓): | YES | NO |
| Pascal rating: | | |
| Flue interference test completed and action taken: | | |
| Appliance Serial Number (refer to page 55): | | |
| Instruction manual and tools explained to the customer and instruction on the stoves operation and limits (✓): | YES | NO |

Commissioning Testing

Once a suitable flue draught has been established, and to ensure that during start-up operation and refuel that spillage does not occur, it is advised to carry out the following 3 step spillage test procedures and record the results using the form below. Before commencing the commissioning process, it is important for the installer to ensure the following have been met;

- ✓ The installer has read and understood this guidance document and has taken account of the guidance contained within the appliance manufacturer's installation instructions.
- ✓ A relevant risk assessment of the property and appliance has been carried out.
- ✓ The chimney, hearth and appliance is installed in accordance with the requirements of ADJ and their suitability/soundness has been verified as compliant.
- ✓ The air supply duct has been installed in accordance with the specification detailed by the appliance manufacturer and within manufacturer instructions.
- ✓ A CO alarm has been fitted.

Commissioning is the final stage of an installation and intended to evidence that the appliance works safely at the time the commissioning takes place. All dedicated external air supply installations are subject to the relevant commissioning and site testing provisions as required for under Building Regulations and are to be notified through the HETAS CPS scheme, where a certificate of compliance is to be issued, a copy retained by the installer and a copy left with the consumer for their records.

The commission procedure detailed below can be followed to confirm compliance for DEAS appliances. Further supporting information on commissioning may be available from recognised product specific manufacturer's instructions, and should be referenced during the commissioning process.

A copy of the form should be left with the consumer and a copy retained by the installer for their records.

Step 1 – Cold Spillage Test – Appliance Door Shut.

1. Close all external doors and windows, internal doors to the room the appliance is located in and ensure all openable ventilators are closed and any devices that extract air from the dwelling are off.
2. Preheat the flue by lighting a small fire using kindling, a blow lamp or electric heater.
3. Light a small smoke pellet (5m³/30 sec), place into the appliance and shut the appliance door. All air-controls should be set to their maximum open position.
4. Check that all of the smoke enters the flue and none comes back into the room through any part of the stove, connecting flue pipe or air supply duct.

Note: *If visible smoke enters the room then repeat the flue preheat detailed in point 2 above, to generate additional flue draw. If the test still fails, progressively open a window in the room the appliance is installed. If the flue starts to draw the smoke, this will indicate a fault due to air starvation and the appliance is not being provided with adequate air for the flue to function correctly. Note the additional area of ventilation required and add permanently open ventilation into the room by that amount to correct the problem.*

5. If applicable, correct any highlighted issues and re-test using steps 1-4 above. If smoke continues to spill after opening a window, this indicates a more serious problem (i.e. flue blockage) which must be addressed and then this commissioning process repeated.

Step 2 - Extraction Test (Using a flue draught gauge)

A flue pressure testing device shall be fitted to the flue of the appliance.

1. Ensure all doors to the room and all external doors, windows and air vents designed to be closable are closed, and all ventilation fans are switched off.
2. Light the appliance and allow for the optimum operating temperature to be reached.
3. The flue draught reading should be recorded and checked that it is in the parameters specified by the appliance manufacturer.
4. Open any internal doors interconnecting the room in which the appliance is installed to rooms where extraction fans are present within the property
5. Turn on all extract fans within the property to the maximum speed setting allowed.
6. Run the extract systems for ten minutes, and then, record the flue draught reading. The reading should not be lower than the previous reading obtained with extracts running and not fall below the parameters specified by the appliance manufacturer.

7. Once the tests confirm satisfactory operation, remove the test device and seal any apertures in the flue way if required.

Note: *If at any stage during commissioning the flue draught reading taken differs from the draught parameters specified by the manufacturer, action should be taken to locate the cause of the discrepancy and the installation rectified before proceeding with further testing.*

The extraction test is a means to verify that the manufacturer's required flue draught during operation is met under the relevant conditions. In some cases spillage can still occur and so it is important to carry out the prescribed smoke spillage tests detailed.

Step 3 – Hot Spillage Test - Refuelling

Now that initial chimney draw has been verified as adequate, light a fire in the appliance using the recommended amount of kindling/small logs and manufacturer's recommended air control position and allow the appliance to reach its normal operating temperature. At the end of the banking period and before refuelling;

1. Close all external doors and windows, ensure all openable ventilators are closed.
2. Open the appliance door and with a smoke match/pen (15 sec burn time) pass over the top and side edge of the opening of the combustion chamber, observe and record if the smoke/combustion products are drawn into the chimney or spill back into the room. Once the smoke is extinguished, close the appliance door.
3. Repeat this test with all extraction fans running and internal doors open connecting the room the appliance is installed in to the extraction device(s) (see extraction test above).

Note: *If smoke or combustion enter the room, then additional ventilation may be required to compensate for the extraction device(s). This can be tested by gradually opening a window and observing the relevant smoke patterns during operation.*

If the smoke continues to fail to draw up the flue, or fails with additional ventilation beyond that advised by ADJ Table 1, thoroughly inspect the flue/ chimney and termination for other faults.

Check the appliance/flue/chimney draw with a flue draught gauge and ensure draught is within manufacturer's guidelines. If no gauge is available, or no draught reading is given, you can test with smoke as a "safety check" but there is

no substitute for using the correct tools and undertaking the correct tests.

On Site Verification of HETAS Spillage Test Procedure

| 1. Property Details | |
|--|--|
| Address: | |
| Installation Location: | |
| Installation Type: | |
| Assumed Dwelling Permeability Low to High (see risk assessment document and guidance): | |

| Appliance Details | |
|-----------------------|--|
| Appliance Type: | |
| Make/Model: | |
| Fuel: | <i>Wood / Mineral Fuel / Pellet / Chip</i> |
| Nominal Output (kW): | |
| Gross Efficiency (%): | |
| Freestanding/Inset: | |
| Air Control Type: | <i>Manual / Automatic</i> |

| Commissioning Details | | | | | |
|-----------------------|----------------------------|--------------------|----------------------|------------|------------------------|
| | Compliance (please circle) | | Notes / Measurements | | |
| | Extract Off | Extract On | Extract Off | Extract On | Manufacturer Specified |
| Extraction Test | <i>Pass / Fail</i> | <i>Pass / Fail</i> | | | |
| Cold Spillage Test | <i>Pass / Fail</i> | <i>Pass / Fail</i> | | | |
| Hot Spillage Test | <i>Pass / Fail</i> | <i>Pass / Fail</i> | | | |

2. Direct Air Supply Details *(if applicable)*

| | |
|---|----------|
| Ducting Length: | |
| Number of Bends: | |
| Combustion Air Requirement: (mm ²) | |
| Room Sealed | Yes / No |
| <i>If No</i> , Extra ventilation to room (mm ²) | |
| Incompliance with manufacturer's instructions | Yes / No |

3. Installation Details

| | Compliance (please circle) |
|---|-------------------------------|
| In compliance with manufacturers instructions? | Yes / No |
| In compliance with ADJ? | Yes / No |
| Direct External Air Supply Present? (see section 5) | Yes / No |

3. Declaration

| | | | |
|-------------------------|--|-------|--|
| Name: | | | |
| Company: | | | |
| HETAS Operative No: | | | |
| Signed: | | Date: | |
| Other Notes / Comments: | | | |

Annual Service Record

| Date | Company | Name | Signature |
|------|---------|------|-----------|
| | | | |
| | | | |
| | | | |
| | | | |
| | | | |
| | | | |
| | | | |
| | | | |
| | | | |
| | | | |
| | | | |
| | | | |
| | | | |
| | | | |
| | | | |
| | | | |
| | | | |
| | | | |
| | | | |
| | | | |
| | | | |

Notes

.....
.....
.....
.....
.....
.....
.....
.....
.....
.....
.....
.....
.....
.....
.....
.....
.....
.....
.....
.....
.....

Warranty Registration

To validate and start your warranty please fill out this form and send it back to:

**Chesneys (Warranty
Registration) Unit 12-16 Eldon
Road,
Beeston,
Nottingham, NG9
6DZ**

Alternatively you can register your stove online via the Chesneys website by completing the online form:

<https://chesneys.co.uk/warranty-registration>

All items are required:

| Your Details | |
|-------------------------------------|-----------------|
| Name | |
| Address | |
| | |
| | |
| Postcode | |
| Telephone No. | |
| Email | |
| Purchase Details | |
| Purchased From | |
| Purchase Date | |
| Product Details | |
| Appliance Name | |
| Appliance Colour | |
| Serial Number* | |
| Installation Details | |
| Installed by | |
| HETAS/OFTEC registration no. | |
| Installation date | |
| Is the flue lined? | YES / NO |

*The serial number can be found on the data plate which is located on the rear lower left corner of the stove, this plate can be swivelled and viewed from the front. The Double Sided 8 Series stove data plate can be found under the stove on the left viewed from the air control in the middle and also can be swivelled to reveal the serial number.

